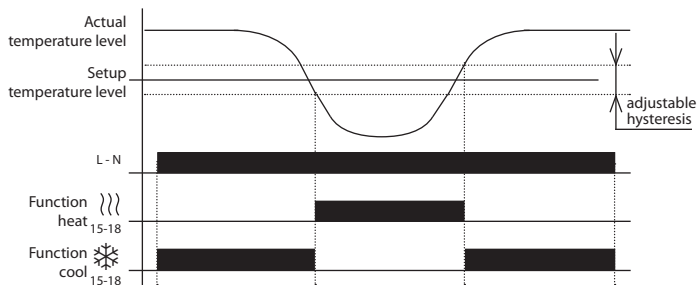




EAN code
TEV-4: 8595188140577

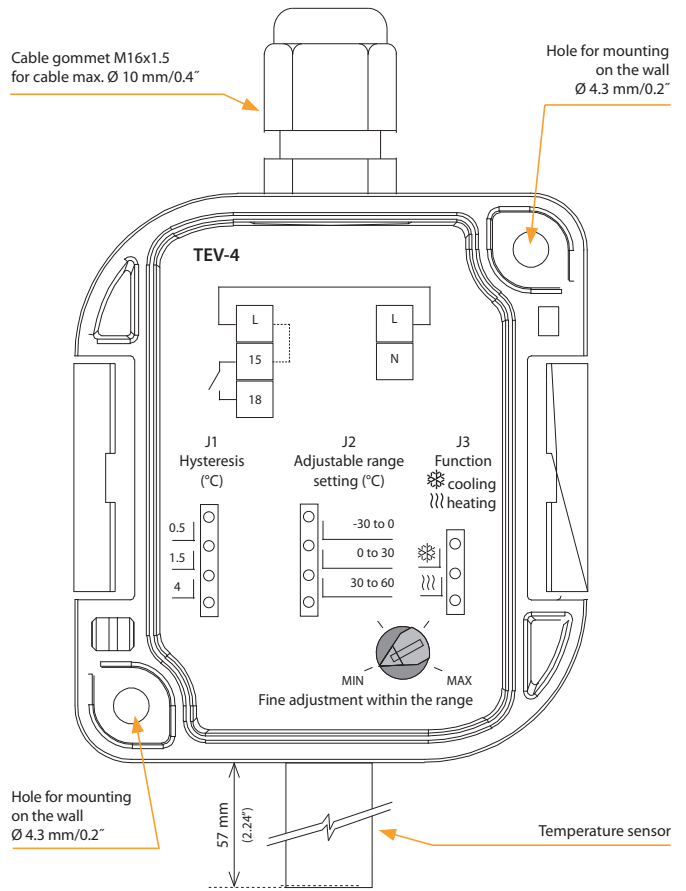
Technical parameters		TEV-4
Supply		
Supply terminals:	L - N	
Voltage range:	AC 230 V (50-60 Hz)	
Input (apparent / loss):	max. 6 VA/0.7 W	
Max. dissipated power (Un + terminals):	2.5 W	
Tolerance of voltage range:	- 15 % to +10 %	
Function setting by jumper J3		
Function - ❄️:	cooling	
Function - 🔥:	heating	
Temperature setting by jumper J2		
range 1:	-30 .. 0 °C (-22 .. 32 °F)	
range 2:	0 .. 30 °C (32 .. 86 °F)	
range 3:	30 .. 60 °C (86 .. 140 °F)	
Slight temperature setting:	potentiometer	
Hysteresis 0.5/1.5/4 °C (32.9/34.7/39.2 °F)		
Hysteresis setting:	by jumper J1	
Output		
Output contact:	1 x NO-SPST (AgSnO ₂)	
Current rating:	12 A/AC1	
Max. breaking capacity:	3000 VA/AC1, 384 W/DC	
Peak current:	30 A/< 3 s	
Switched voltage:	250 V AC/24 V DC	
Mechanical life:	30.000.000 ops.	
Electrical life:	100.000 ops.	
Other information		
Operation temperature:	-30 .. 65 °C (-22 .. 149 °F)	
Storing temperature:	-30 .. 70 °C (-22 .. 158 °F)	
Dielectrical strength:	4 kV (supply-output)	
Operation position:	sensor-side down	
Protection degree:	IP65	
Overvoltage category:	III.	
Pollution degree:	2	
Max. cable size (mm ²):	max.1x 2.5, max. 2x 1.5/ with sleeve max.1x 2.5 (AWG 12)	
Suggested power-supply cable:	CYKY 3x2.5 (CYKY 4x1.5)	
Dimensions:	153 x 62 x 34 mm (6" x 2.4" x 1")	
Weight:	123 g (4.3 oz.)	
Standards:	EN 60255-1, EN 60255-26, EN 60255-27, IEC 60730-2-9	

Function

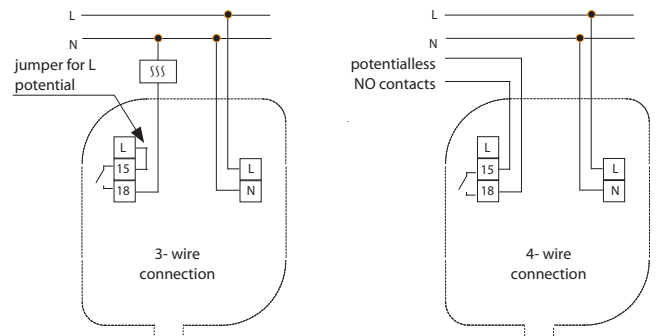


- Single point thermostat for monitoring and regulation of temperature in demanding environments (humid and contaminated, aggressive and defective, industrial workshops, washing rooms, green-houses, cellars and cooling boxes,...).
- External version in IP65, box for mounting on the wall.
- Built-in thermo-sensor is integrated in the device.
- Two functions adjustable by jumper: heating and cooling.
- 3 adjustable (by jumper) ranges of temperature, and fine adjustment through potentiometer.
- 3 adjustable (by jumper) levels of hysteresis.
- Potentialless NO-SPST contact 12 A AC1 switching.

Description



Connection



Description of function

Device is standardly supplied with jumper L-15 (3-wire connection). For the correct function of device is necessary sensor-side down device mounting.