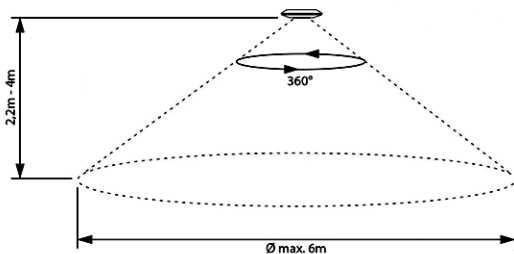
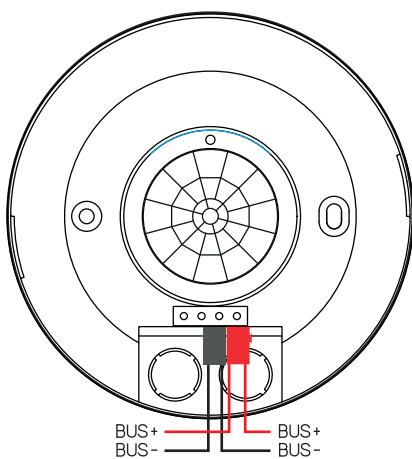




EAN code  
PMS3-01: 8595188191357  
Order Code: 9135

Technical parameters		PMS3-01
<b>Inputs</b>		
Detection angle:		360°
Time setting:		in iDM software
Recommended installation height:		2.5 - 3.5 m
Luminance control:		yes (in hardware)
<b>Communication</b>		
Terminals:		0.3 - 0.8 mm <sup>2</sup>
Interface:		installation iNELS BUS
<b>Power supply</b>		
From iNELS BUS:		27 V DC, -20/+10 %, 20 mA
<b>Operating conditions</b>		
Work temperature:		-10 to 40 °C
Operation position:		free
Installation:		ceiling/surface
<b>Dimension and weight</b>		
Dimension:		115 x 24 mm
Standards:		EN 63044-1

Connection



- The PMS3-01 is a highly versatile and compact motion sensor designed for ceiling or surface mounting applications. With its ultra-slim design, the PMS3-01 seamlessly integrates into various environments, providing reliable and efficient motion detection capabilities.
- The sensor is powered by a 27 VDC power source, specifically the iNELS BUS system, ensuring stable and efficient operation.
- The PMS3-01 utilizes an infrared for precise and reliable motion detection.
- The sensor provides a wide 360-degree detection angle, ensuring comprehensive coverage of the monitored area.
- The sensor's reach is upto 6m max, allowing the user to install the unit at a height of 2.5 m-3.5 m, providing flexibility for different applications.
- The PMS3-01 features a software setting for adjusting time settings. The time setting can be configured, allowing customization of the sensor's activation duration.
- Designed to operate effectively in various environmental conditions, the sensor has a wide working temperature range of -10°C to +40°C, ensuring reliable performance in different settings.
- The PMS3-01 can be seamlessly integrated and combined with other iNELS units using the iDM3 software. This allows for the implementation of additional logics and functions, enabling automation and customized control scenarios based on specific requirements.
- The PMS3-01 features a compact form factor with dimensions of 115 x 24 mm, facilitating easy installation and integration into different ceiling or surface mounting applications.

Another view

